



The joy of showering

Perfect
floor-level showers
with PROCHANNEL



Convenient

Linear drainage system from Proline

Floor-level showers have emerged as a central highlight in contemporary bathroom aesthetics and have become rooms within rooms. Drainage systems have also adapted to meet this trend towards design-oriented accents.

In the past, tiles were applied to the shower surface around a point drainage system usually located in the centre of the shower, but state-of-the-art line drainage systems have now done away with these design and construction-related constraints. The slope no longer needs to lead from four sides to one drainage point. Beyond its appealing visual aspects, the slope for PROCHANNEL along the floor of your shower provides a comfortable position with even water flow.

As a result, the design of the linear drainage system makes a significant contribution to giving tiled, floor-level showers their striking visual appearance. The less the floor covering is broken up by joints and visible drainage features, the more pronounced the effect on enhancing the appearance of the room.

The PROCHANNEL linear drainage system provides you with a sophisticated, tried-and-tested system that gives you more than just the choice between primary and secondary drainage. The creative variety provided by various design grilles and the use of tile recesses for exceptionally subtle integration ensure all of your design aspirations are fulfilled. You will be awash in amazement!



Advantages of the linear drainage system

- > **Almost limitless design freedom**
- > **Custom design variants**
- > **Aesthetic and convenient**
- > **Timeless and design oriented**
- > **Accessible and approved**



Advantages of linear drainage with PROCHANNEL

Floor-level showers offer comfort free of compromises. This includes an elegant, timeless drainage system that meets the highest requirements with its function and sophisticated technology. The visionary ideas behind the PROCHANNEL linear drainage system make it one of a kind. The modular system draws appeal in private homes as well as hotels and public buildings.

- > **Ideal for large tile formats and natural stone floors**
- > **Suitable for installation by a wall, in the centre or at the entrance to the shower**
- > **Low installation height (starting at 52 mm)**
- > **Drainage line housing of high-quality stainless steel**
- > **Hygienic and easy to clean**
- > **Drain pans with high drainage performance and outlet capable of rotating 360°**
- > **Tested sealing system with abP (= General Building Test certificate)**



PROCHANNELp-line with design grille



PROCHANNELs-line with support element for shadow gap



FLEXIBLE MODULAR SYSTEM

PROCHANNEL*p*-line

> Primary drainage

PROCHANNEL*s*-line

> Secondary drainage

Whether you decide on the PROCHANNEL*p*-line with primary drainage or the PROCHANNEL*s*-line with primary and secondary drainage, both drainage line systems will meet all your design needs. Together with our drain pans and tested seals, we have created a modular system with one-of-a-kind flexibility and design possibilities.

ACCESSORIES IN THE SYSTEM

Our accessories ensure you have everything you need for installation right on site. And what is most important: All of the individual drainage and sealing system parts fit together perfectly and guarantee optimal results.

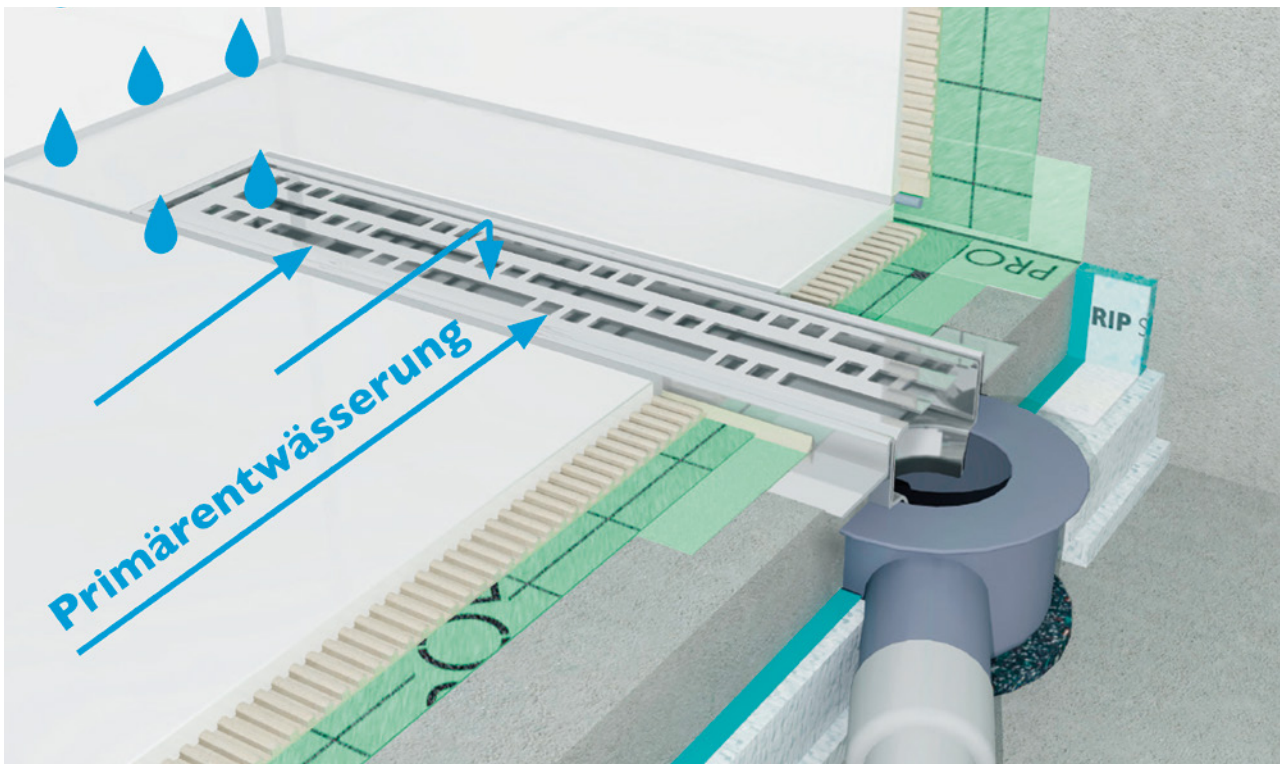
The choice is yours: PROCHANNEL*p-line*

- > With upstand for tile flooring up to 12.5 mm thick
- > With fixed frame for natural stone flooring 15 mm or 20 mm thick
- > 7 different covers
- > Custom solutions available on request



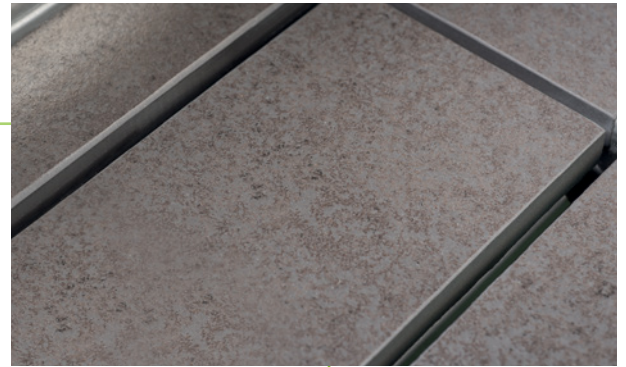
PROCHANNEL*p-line* – Primary drainage

The linear drainage system captures surface water over its entire length and channels the water away. The water drains over the surface of the floor covering and into the drainage line housing. The enclosed drainage line housing ensures this variant provides absolute hygienic reliability. The one-sided slope is created easily and effectively. Installation is easy and requires taking the needs of heat insulation and walking/impact noise into account.



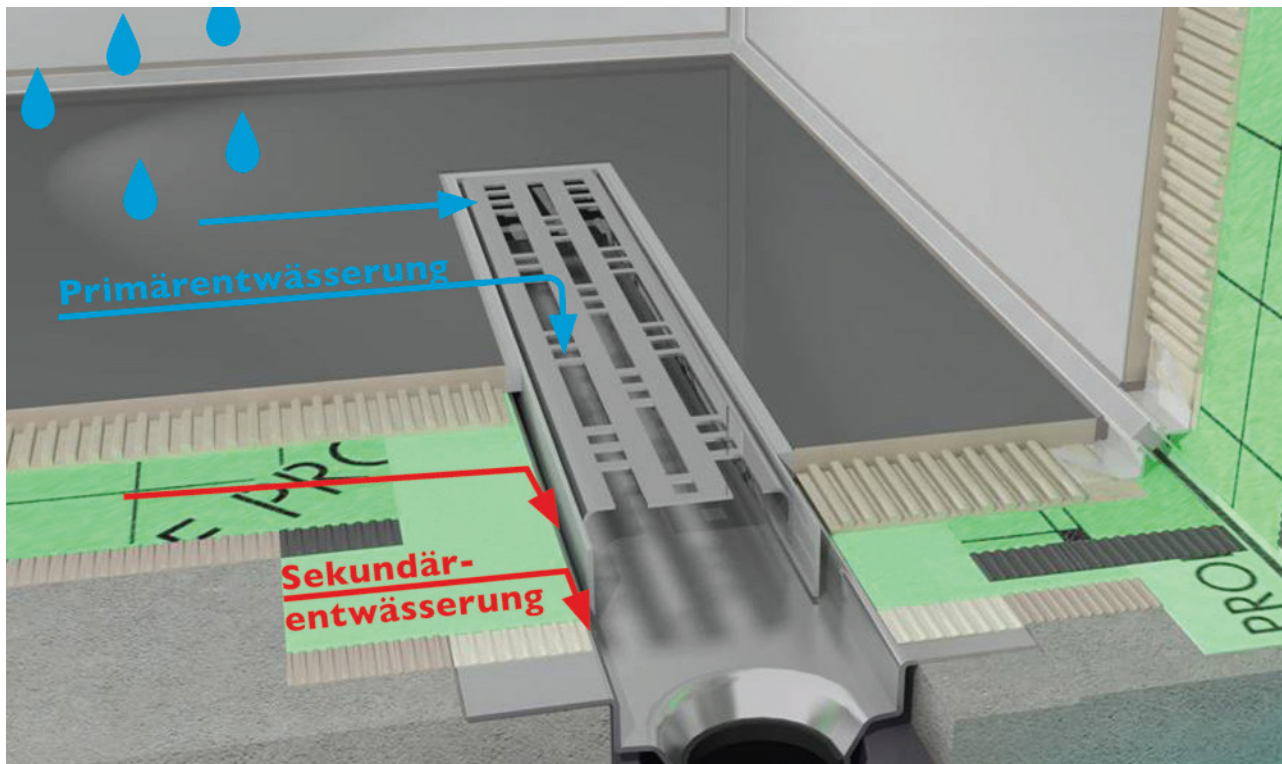
PROCHANNELs-line

- > Featuring 4-way adjustable frame for floor coverings 10–17 mm thick
- > 7 different covers
- > Additional option for installation with elegant shadow gap
- > Ideal for natural stone flooring



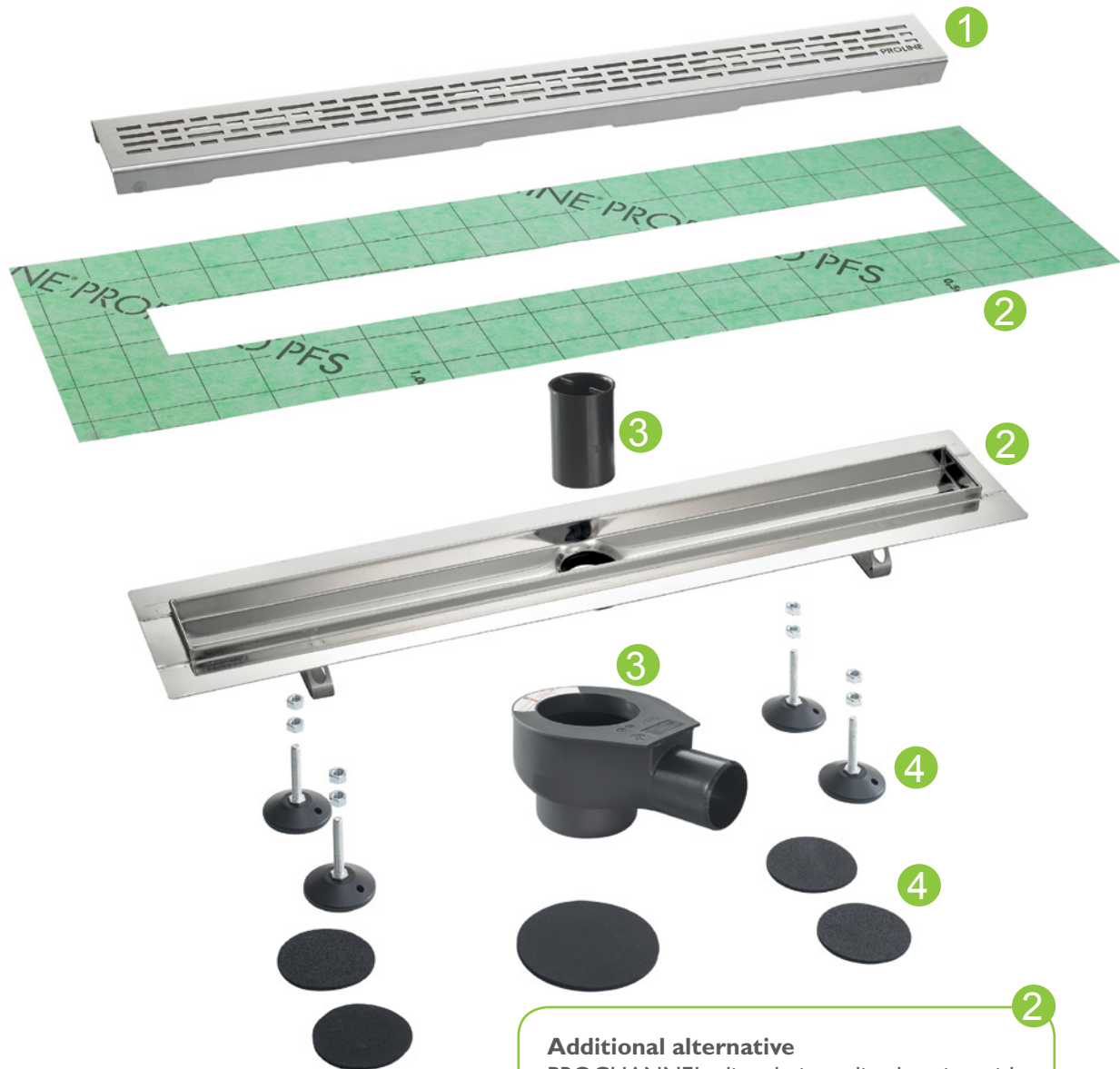
PROCHANNELs-line – Secondary drainage

This version of the linear drainage system captures surface water over its entire length and channels the water away. Not only water on the surface of the floor covering drains away, but any seep water accumulating in the bonding gap can drain into the drainage line housing through the sealing level as well. Installation is easy and requires taking the needs of heat insulation and walking/impact noise into account.



FLEXIBLE MODULAR SYSTEM

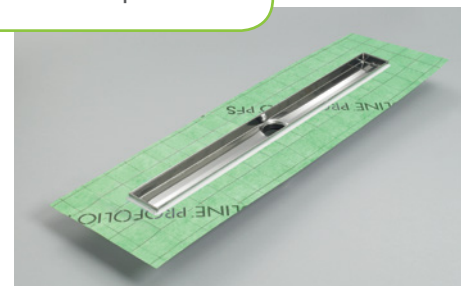
PROCHANNEL*p-line* with design grille



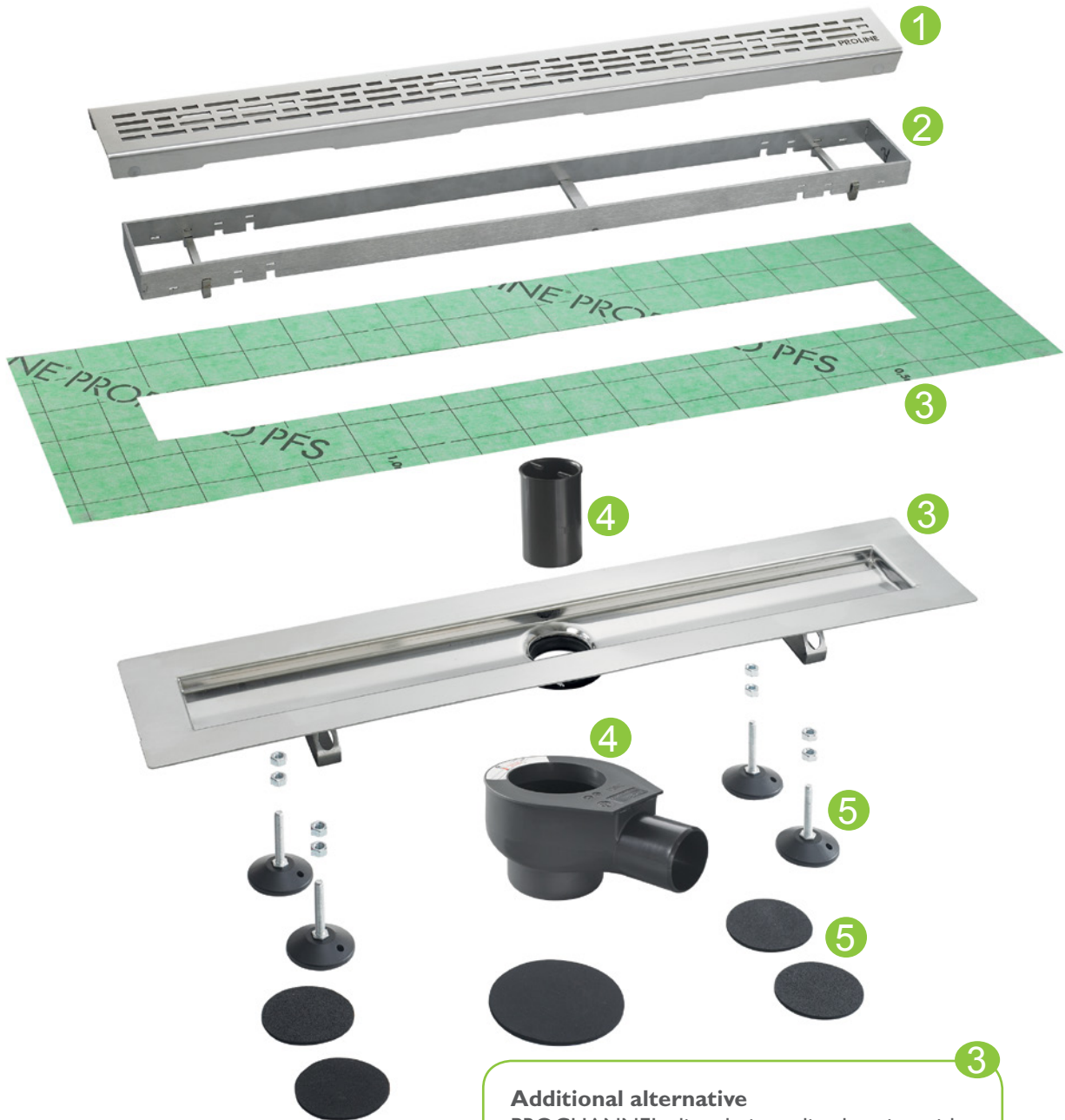
Additional alternative

PROCHANNEL*p-line* drainage line housing with sealing sleeve permanently bonded in place

1. PROCHANNEL Classic design grille
> Alternative PROCHANNEL tile recess
2. PROCHANNEL*p-line* tile drainage line housing with enclosed PROFOLIO sealing sleeve
3. PROCHANNEL drain pan with trap
4. PROCHANNEL installation feet and noise-insulating pads



PROCHANNELs-line with design grille



Additional alternative
 PROCHANNELs-line drainage line housing with
 sealing sleeve permanently bonded in place

- 1. PROCHANNEL Classic design grille
 > Alternative PROCHANNEL tile recess
- 2. PROCHANNELs-line frame
- 3. PROCHANNELs-line drainage line housing with enclosed PROFOLIO sealing sleeve
- 4. PROCHANNEL drain pan with trap
- 5. PROCHANNEL installation feet and noise-insulating pads



FLEXIBLE MODULAR SYSTEM

PROCHANNEL*p-line* with tile recess



Additional alternative
PROCHANNEL*p-line* drainage line housing with
sealing sleeve permanently bonded in place

1. PROCHANNEL tile recess
2. PROCHANNEL*p-line* tile drainage line housing with enclosed PROFOLIO sealing sleeve
> Alternative PROCHANNEL*p-line* natural stone drainage line housing including tile recess
3. PROCHANNEL drain pan with trap
4. PROCHANNEL installation feet and noise-insulating pads



PROCHANNELs-line with support element

Variant with shadow gap



Additional alternative
PROCHANNELs-line drainage line housing with
sealing sleeve permanently bonded in place

- 1. PROCHANNELs-line support element for creating a shadow gap
- 2. PROCHANNELs-line drainage line housing PROFOLIO sealing sleeve (enclosed)
- 3. PROCHANNEL drain pan with trap
- 4. PROCHANNEL installation feet and noise-insulating pads



PROCHANNEL *p-line* and *s-line*

> PROCHANNEL tile recess and design grilles

The tile recess makes it possible to provide a visual adjustment to match tile flooring. Or you can decide on a design grille of stainless steel to act as a contrast to your tile. The drainage lines are designed so that the tile recesses and design grilles can be used in both variants:



Tile recess
Stainless steel drainage line insert



Design grille Steel
Stainless steel drainage line cover



Design grille
5 different designs



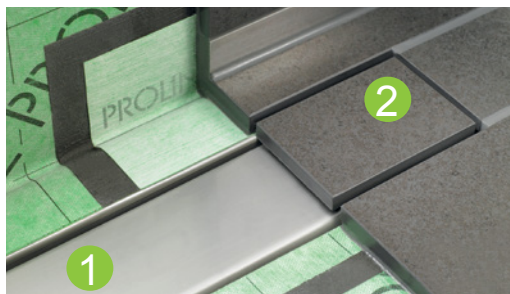
PROCHANNEL *s-line* with shadow gap

The PROCHANNELs-line support element is the perfect alternative for instances when the floor covering needs to be on display without any distracting border. The tile is properly bonded to the support element to form a shadow gap.

The support element is inserted directly into the PROCHANNELs-line drainage line; the use of the frame is not necessary.



PROCHANNELs-line support element



1
PROCHANNELs-line
support element

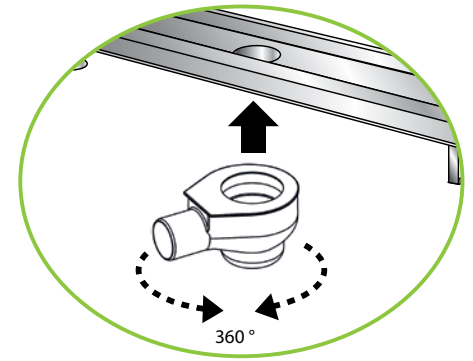
2
Tile bonded onto the
PROCHANNELs-line
support element

ACCESSORIES IN THE SYSTEM

PROCHANNEL drain pans

A selection of 5 drain pans to meet any requirements is available to complete the modular system:

- > Freely selectable drain pans to adapt to the installation height
- > Direct alignment with the house connection
- > Rotatable by 360° except superflat drain pan



The right drain pan for draining any amount of water:

PROCHANNEL drain pans, horizontal

For rotatable installation onto the drainage line housing with horizontal connection.

	0.7 l/s	0.8 l/s	MAX drain pan	1.2 l/s
Maximum drainage	0.7 l/s	0.8 l/s	MAX drain pan	1.2 l/s
Connection	DN 50	DN 50	MAX drain pan	DN 70
Standardised drain	–	Yes	MAX drain pan	Yes
Assembly height, min. [mm]*	81 mm	106 mm	MAX drain pan	134 mm
Assembly height, min. [mm]**	84 mm	110 mm	MAX drain pan	138 mm
Sealing water height [mm]	25 mm	50 mm	MAX drain pan	60 mm
Art. No.	95340	95341	MAX drain pan	95344



PROCHANNEL drain pan, superflat

Plastic drain pan with exceptionally low assembly height with side connection.

Maximum outlet approx.	0.5 l/s	
Connection	DN 40	
Standardised drain	–	
Assembly height, min. [mm]*	55 mm	
Assembly height, min. [mm]**	59 mm	
Sealing water height [mm]	30 mm	
Art. No.	95343	Cannot be rotated 360°!



PROCHANNEL drain pan, vertical

For rotatable installation onto the drainage line housing with vertical connection.

Maximum drainage	1.3 l/s	
Connection	DN 50	
Standardised drain	Yes	
Assembly height, min. [mm]*	14/52 mm	Without/With base holder
Assembly height, min. [mm]**	17/52 mm	Without/With base holder
Sealing water height [mm]	50 mm	
Art. No.	95342	



* Minimum assembly height [mm] refers to installation with PROCHANNELp-line (measured up to the fixed flange)

** Minimum assembly height [mm] refers to installation with PROCHANNELs-line (measured up to the fixed flange)

CAUTION: Please keep the fixed frame height of 14 mm for tile as well as 20 and 25 mm for natural stone in mind for the PROCHANNELp-line

ACCESSORIES IN THE SYSTEM

abP

Tested sealing system – PROFOLIO with PROFIX DS

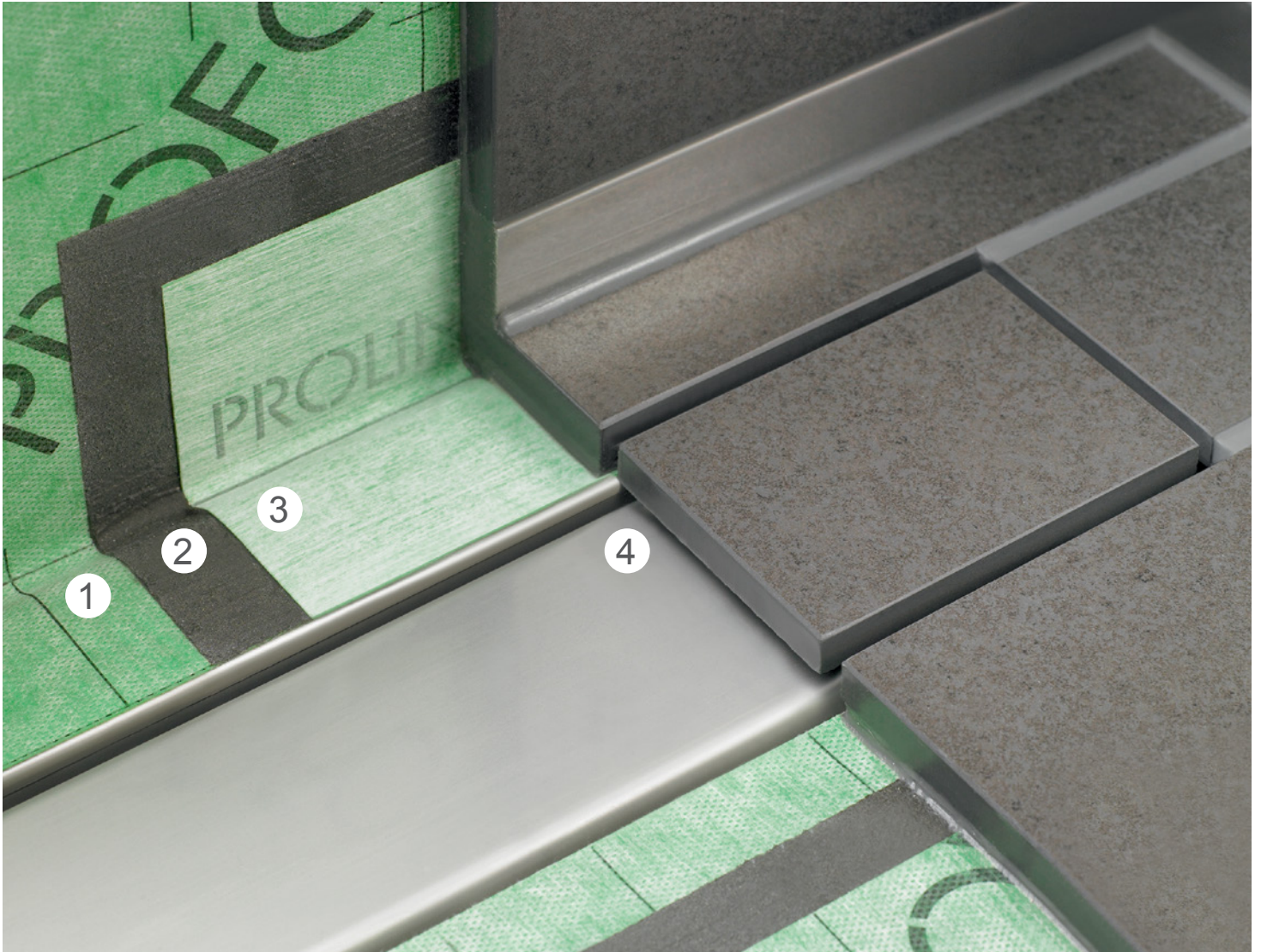


Figure shows installation of the PROCHANNELS-line with support element for creating a shadow gap

1



PROFOLIO sealing and decoupling membrane made of polyethylene

2



PROFIX DS sealing slurry

3



PROFOLIO sealing tape

4



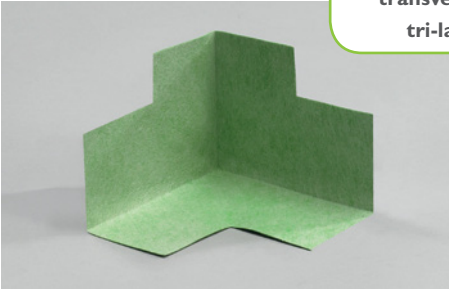
OTTOCOLL M500
hybrid adhesive and sealant

The adhesive **OTTOCOLL M500** tested in system is designed to adhere

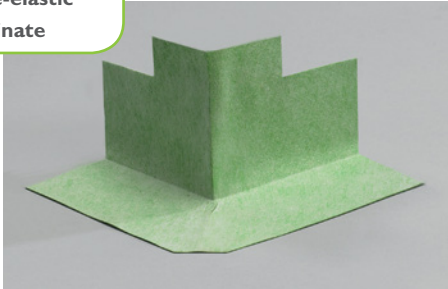
- > sealing sleeves to drainage line housings
- > tiles/natural stone in tile recesses
- > tiles/natural stone on support elements

and it is recommended by us.

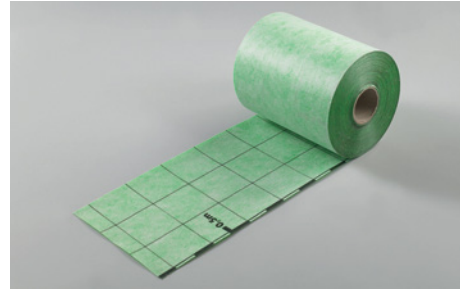
Highly flexible,
transverse-elastic
tri-laminate



PROFOLIO sealing tape corner – Internal corner

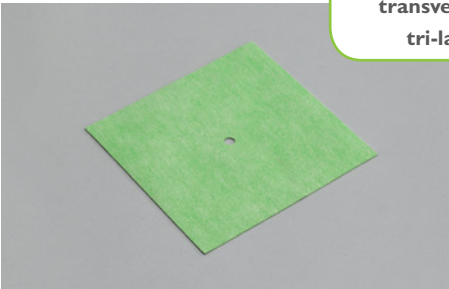


PROFOLIO sealing tape corner – External corner



PROFOLIO butt-joining tape

Highly flexible,
transverse-elastic
tri-laminate



PROFOLIO sealing sleeve – Wall collar



PROFOLIO sealing sleeve – Floor collar



PROFIX dispersion fixative

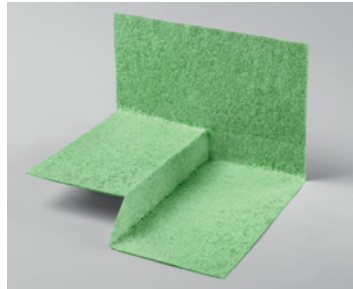
Supplementary products



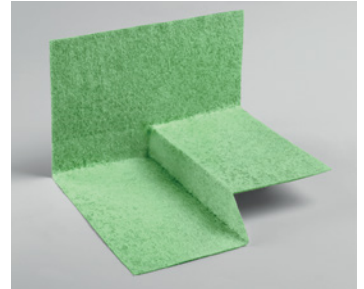
PROFOLIO
tub sealing tape



PROBAND
butyl sealing tape, self-adhesive



PROFOLIO compensation corner left

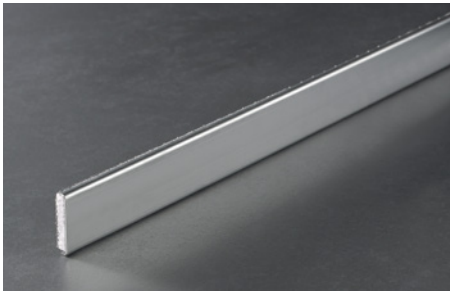


PROFOLIO compensation corner right

ACCESSORIES IN THE SYSTEM

System additions

1

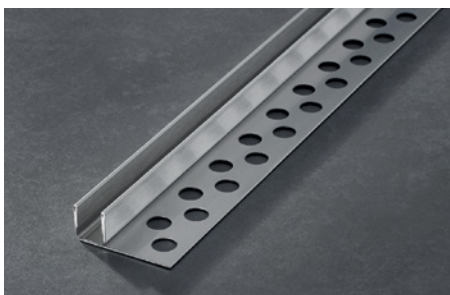


Wall cover for compensating for different wall heights, V2A stainless steel

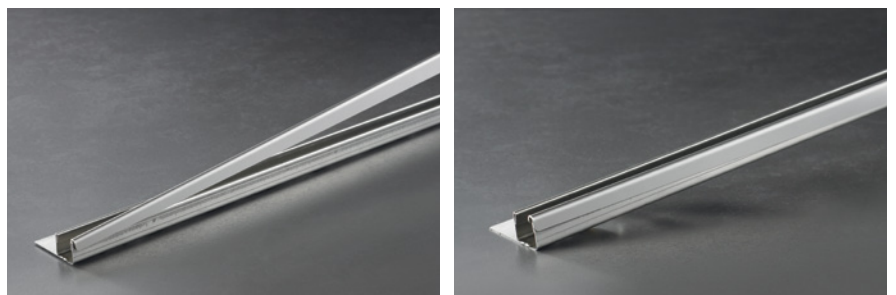
2



Slope profile, V2A stainless steel



Glass carrier profile, V2A stainless steel



The slope profile is available in a left-hand or right-hand design and can easily be inserted into a glass carrier profile.



Hair sieve
V2A stainless steel



Installation feet
including noise-insulating pads



Sound insulation mat
PU rubber granulate



Order forms/Checklists

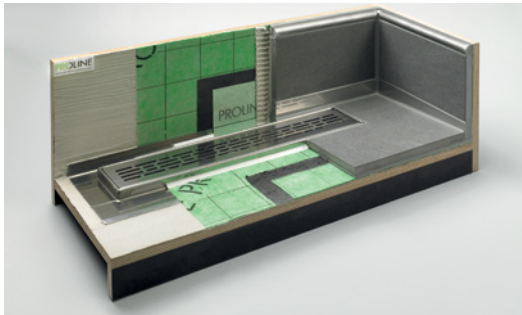
Our extensive PROCHANNEL checklists help you select and compile the modular components you need for every project.

You can download the right checklist for your needs at any time on our website.

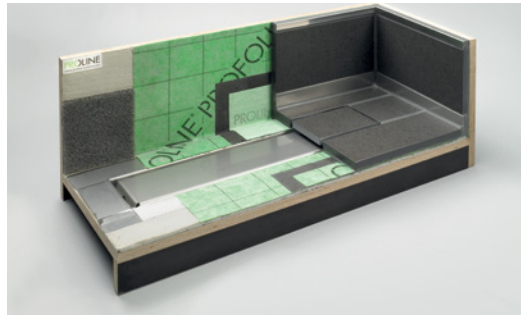
POS sales promotion

> PROCHANNEL displays

To support your on-site consulting services, we provide distinctive displays showcasing the original installation of our PROCHANNEL components.



PROCHANNELp-line
Art. No.: M31470 (size: 508 x 210 x 198 mm)



PROCHANNELs-line
Art. No.: M31471 (size: 508 x 210 x 198 mm)

In addition we offer you 10 additional exhibits (e.g. PROFOLIO) which can be displayed on our premium collection presenter.



> Premium product showcase
Art. No. M11011



> PROCHANNEL flyer
Art. No. M32450



SERVICE – Your direct contact to Proline:

Customer support: + 49 (0) 67 42 / 80 16 - 12

Technical service: + 49 (0) 67 42 / 80 16 - 85

E-mail: info@proline-systems.com

www.proline-systems.com

Proline Systems GmbH

Kratzenburger Landstrasse 3
Industriegebiet Hellerwald
56154 Boppard – Germany

Post office box 4153
56149 Boppard – Germany

Tel. +49 (0) 67 42 / 80 16-0
Fax +49 (0) 67 42 / 80 16-40

info@proline-systems.com
www.proline-systems.com



Your authorised dealer: